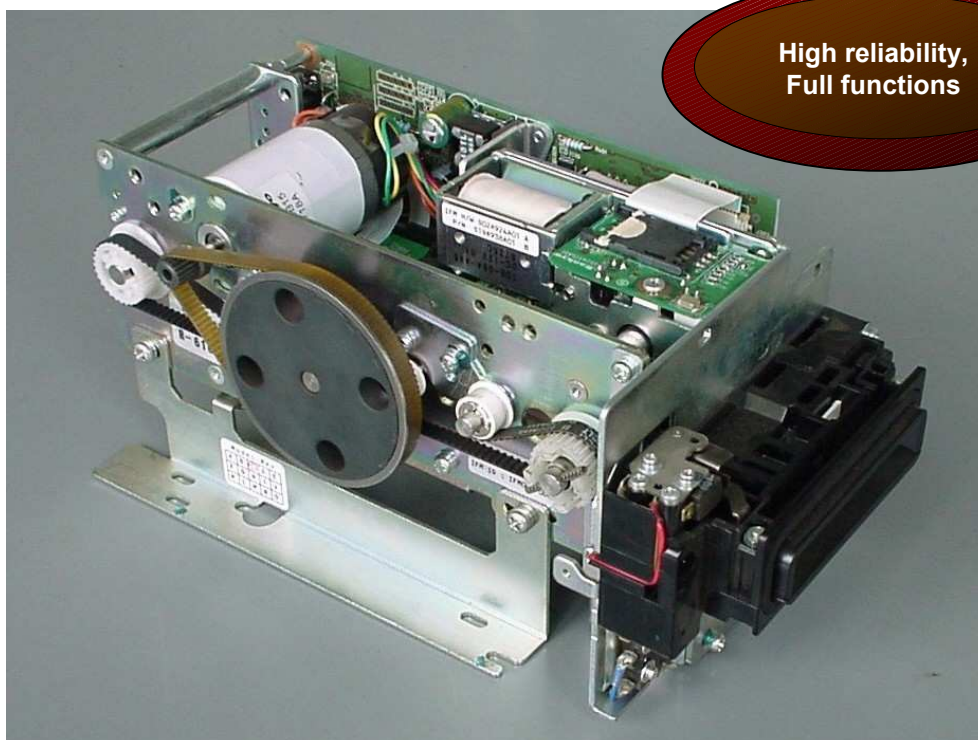


# Sankyo

All for dreams

## Motorized Card Reader (for ATM)

### ICT3Q8-3A0171



High reliability,  
Full functions

#### ■ Applications

- 1) ATM/CD
- 2) Kiosk terminals
- 3) Payment systems
- 4) Retail POS terminals
- 5) Access control terminals
- 6) Other ID terminals

#### ■ Features

- 1) High reliability and durability
- 2) IC Card protocol handling for ISO and EMV Level 1 approved
- 3) Mechanism for warped card handling

#### ■ Specification

IC Contact	ISO/IEC 7816-Part1,2 and 3 Protocol Handling (T=0 and 1) EMV 2000 ver 4.0 Level1 approved
Magnetic Stripe	ISO/IEC 7810,7811 series7813 R/W (Hi-Co write not available)
Power Requirement	+24 V DC / 2.0A (2.5A at peak 50ms)
Signal Interface	RS232C
Unit Life	More than 1,000,000 passes
Dimensions	107 mm(W) x 218 mm(D) x 98 mm(H)
Connector	87203-6063(MOLEX) for RS232C 5046-04A (MOLEX) for Power
Mass	2 kg approx

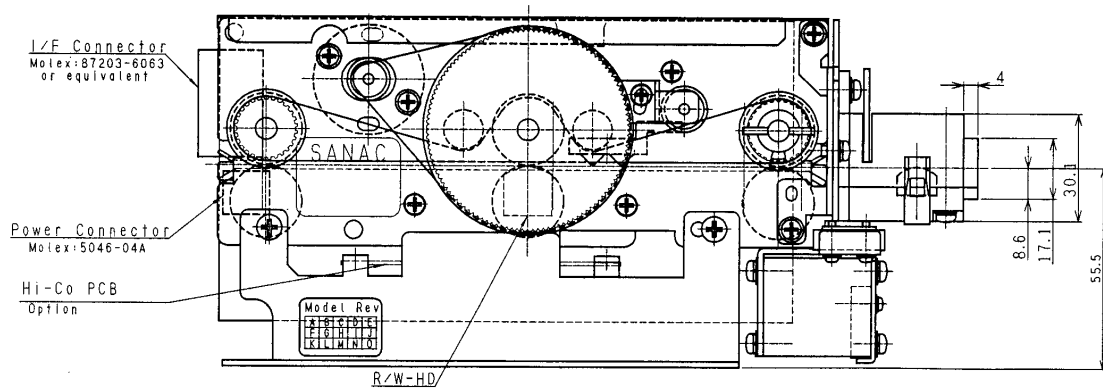
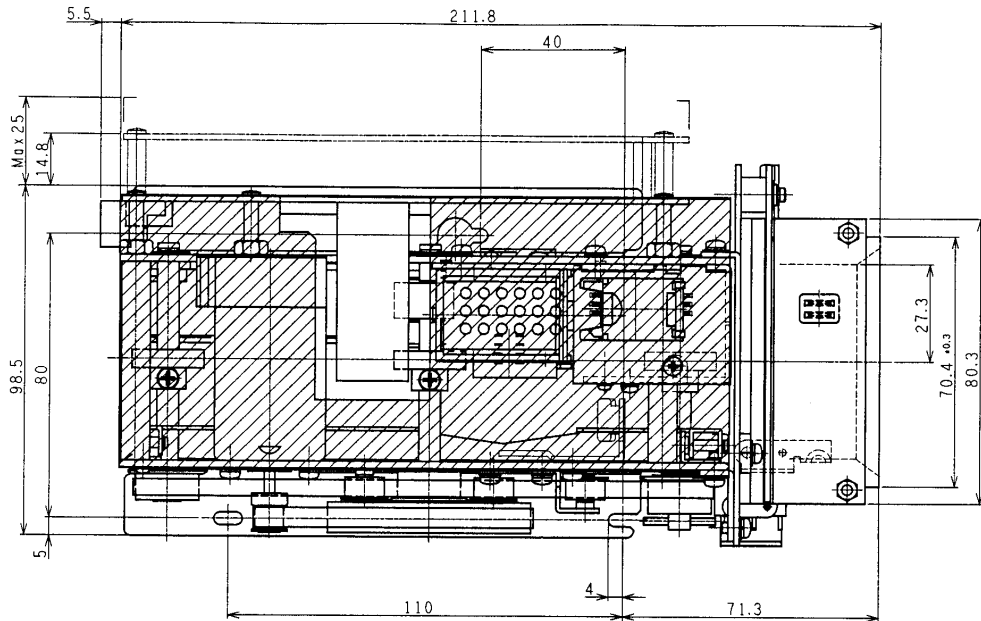
日本電産サンキョー株式会社  
NIDEC SANKYO CORPORATION

# Sankyo

All for dreams

## DIMENSIONS

### ICT3Q8-3A0171



日本電産サンキョー株式会社  
NIDEC SANKYO CORPORATION