

Sankyo

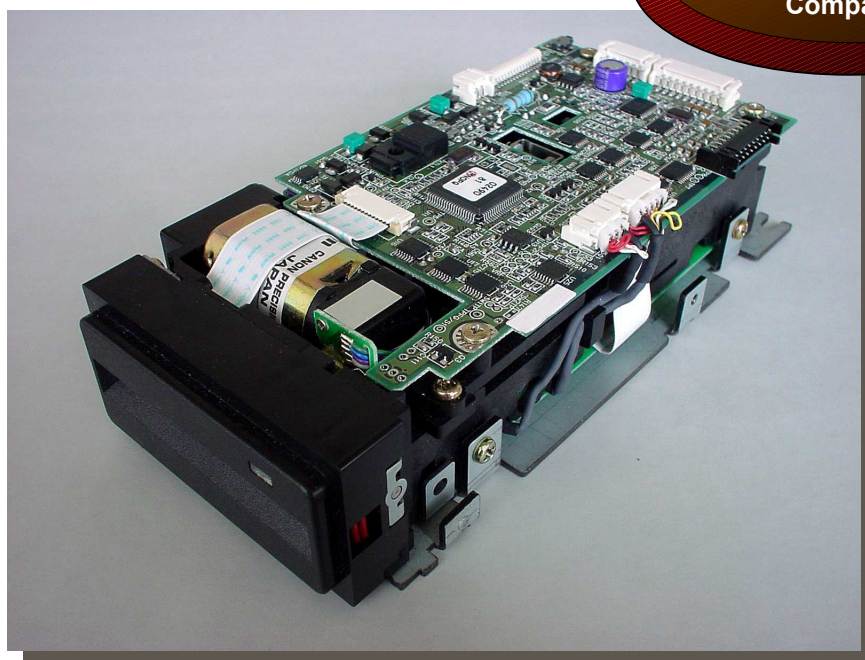
All for dreams

Motorized Card Reader

ICT3K5-3R6940

(Compact type)

High reliability,
Full functions,
Compact



■ Applications

- 1) Kiosk terminals
- 2) Payment systems
- 3) Retail POS terminals
- 4) Access control terminals
- 5) Other ID terminals

■ Features

- 1) High reliability and durability
- 2) IC Card protocol handling for ISO and EMV Level 1 approved
- 3) Mechanism for warped card handling

■ Specification

IC Contact	ISO/IEC 7816-Part1,2 and 3 Protocol Handling (T=0 and 1) EMV2000 ver 4.0. compliant
Magnetic Stripe	ISO/IEC 7810,7811 series7813 Read only
Power Requirement	+12 V DC / 1.0A (2.0A at peak 50ms)
Signal Interface	RS232C
Unit Life	More than 600,000 passes
Dimensions	97 mm(W) × 167mm (D) × 43 mm(H)
Connector	S9B-PH-SM4-TB (JST) for RS232C S6B-PH-SM4-TB (JST) for Power
Mass	480 g approx

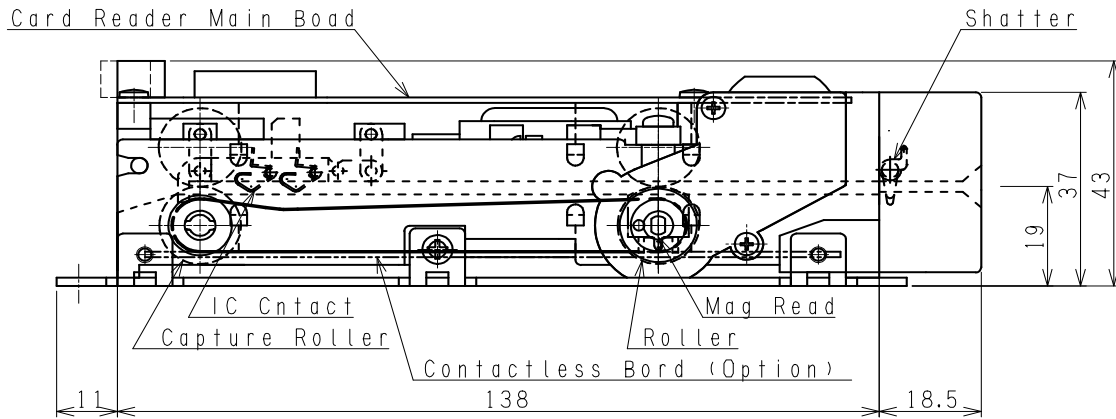
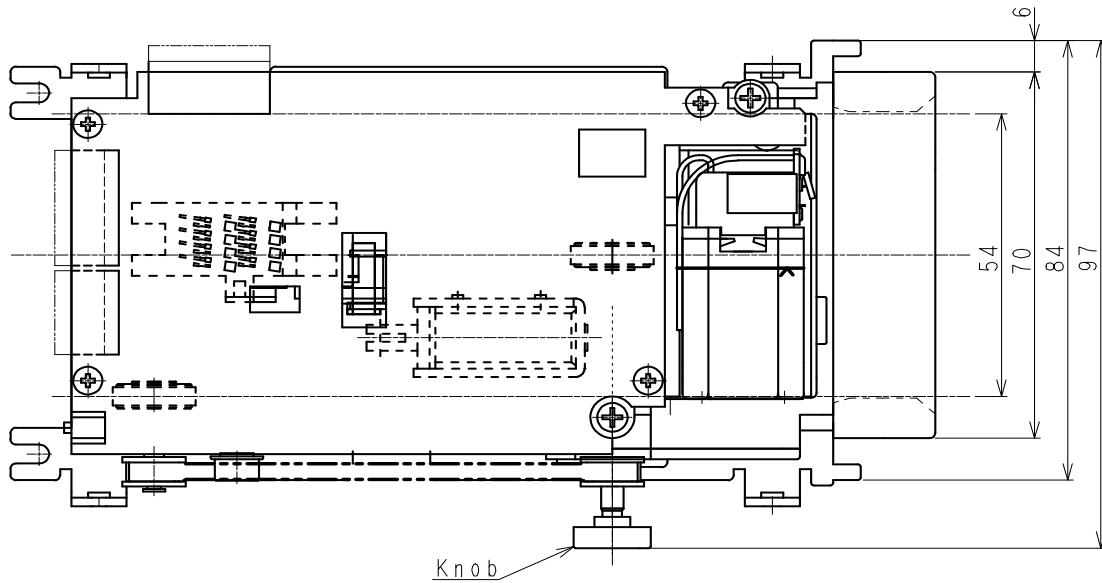
日本電産サンキョー株式会社
NIDEC SANKYO CORPORATION

Sankyo

All for dreams

DIMENSIONS

ICT3K5-3R6940



日本電産サンキョー株式会社
NIDEC SANKYO CORPORATION