

Sankyo

All for dreams

Manual Card Reader

MCM156-1R1130

(Dip type)



■ Applications

- 1) Kiosk terminals
- 2) Retail POS terminals
- 3) Access control terminals
- 4) Gaming
- 5) Other ID terminals

■ Specification

Magnetic Stripe	ISO/IEC 7810,7811 series7813 Read only (Track1 half data)
Power Supply	+5V DC
Signal Interface	TTL
Unit Life	More than 300,000 passes
Dimensions	99mm(W) x 89mm(D) x 28mm(H)
Weight	50g approx

■ Features

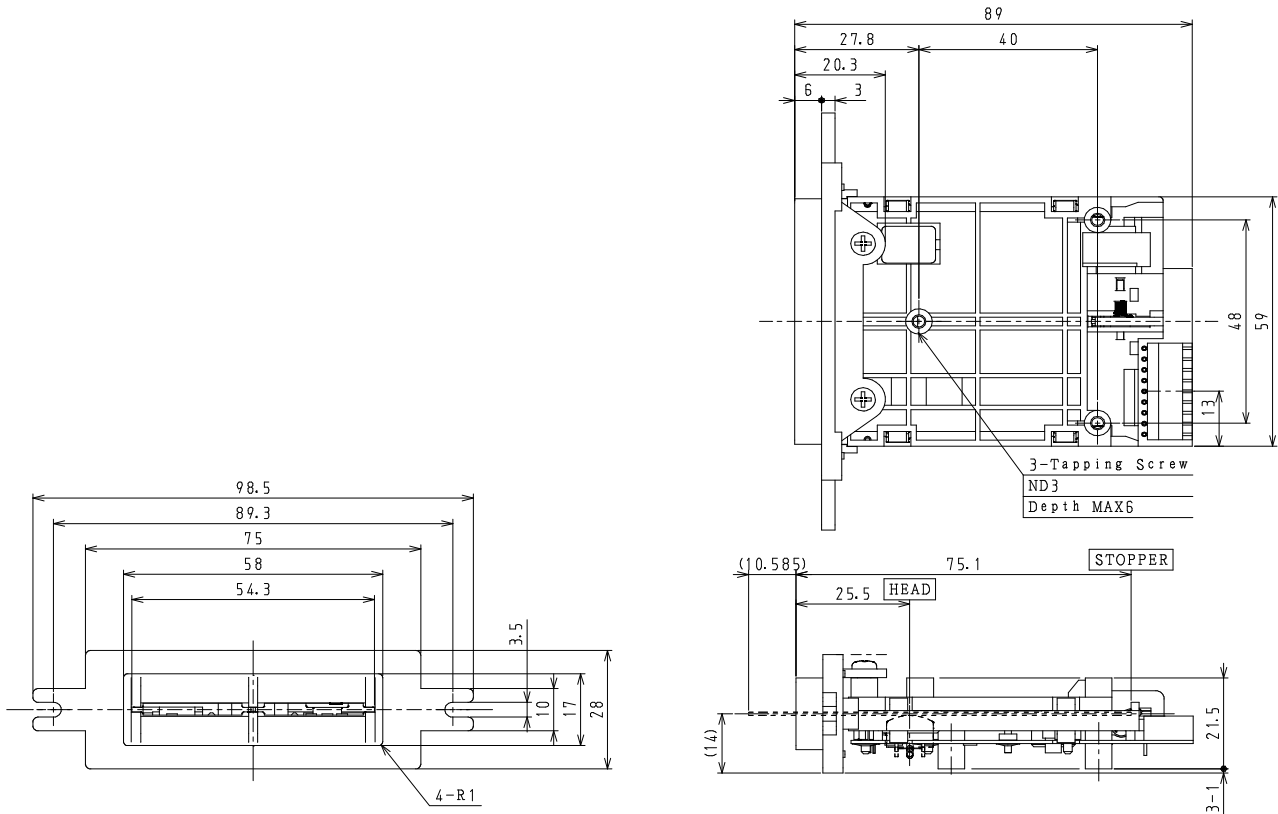
- 1) High reliability and durability
- 2) Compact (Half data)

Sankyo

All for dreams

DIMENSIONS

MCM156-1R1130



日本電産サンキョー株式会社
NIDEC SANKYO CORPORATION